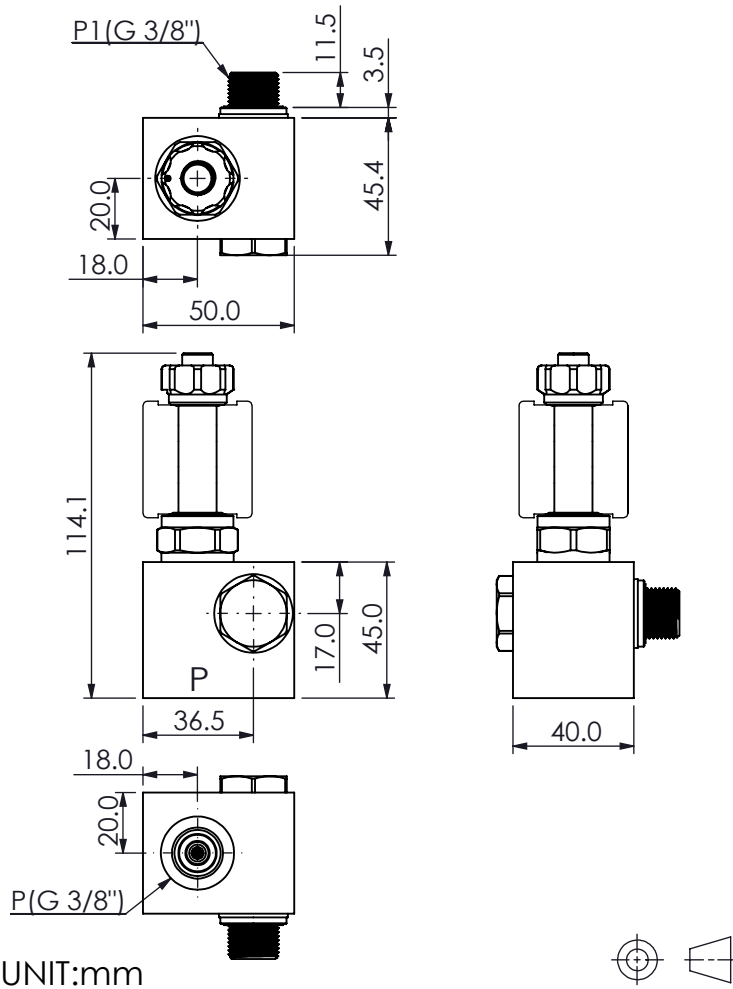
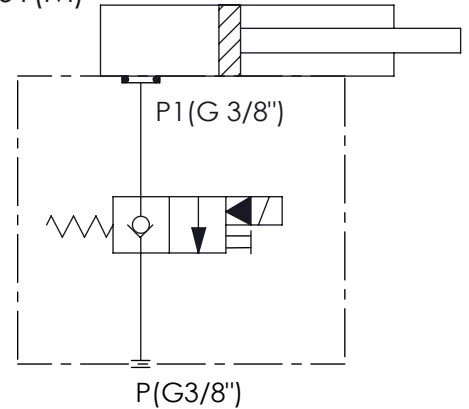


Ordering Code: **ML-08W2-X-Y 51-Z**



Z=EP01 (M)



TECHNICAL DATA

Aluminum Body Pressure Rating: 250 bar

Steel Body Pressure Rating: 350 bar

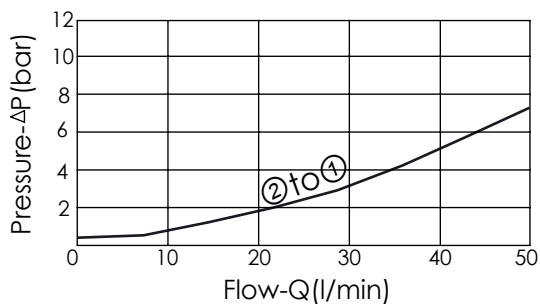
Rated flow: 40 l/min

Cartridge Valve:
Refer to EP08W-X-Y-Z

* Refer to Winner Cartridge Valves Catalog.

Aluminum	0.28 kg (WITHOUT VALVES) 0.41 kg (INCLUDE VALVES , WITHOUT COILS)
----------	---

* If you need the special specification.
Please contact us.



PORT SIZE

X	PORT SIZE	
	PORT P	PORT P1
G03	G 3/8"	G 3/8"

Z SELECTION FOR SOLENOID VALVES (REFER TO EP08W-X-Y-Z)

Z	WITHOUT VALVE
EP01	EP08W2A01N05, 40LPM, 350bar (NORMALLY CLOSED, WITHOUT COIL)
EP02	EP08W2A02N05, 40LPM, 350bar (NORMALLY OPEN, WITHOUT COIL)
EP01M	EP08W2A01M05, 40LPM, 350bar (NORMALLY CLOSED WITH KNOB STYLE MANUAL OVERRIDE, WITHOUT COIL)
EP02P	EP08W2A02P05, 40LPM, 350bar (NORMALLY OPEN WITH PUSH STYLE MANUAL OVERRIDE, WITHOUT COIL)

COIL MUST BE ORDERED SEPARATELY
(REFER TO EC-04W-X-Y-Z)

The selection is only example. Please refer to Winner Cartridge Program and to select the appropriate valves and manifolds assembly in accordance with request function (flow ` pressure ` ... etc.)

Y BODY MATERIAL

A HIGH-STRENGTH ALUMINUM