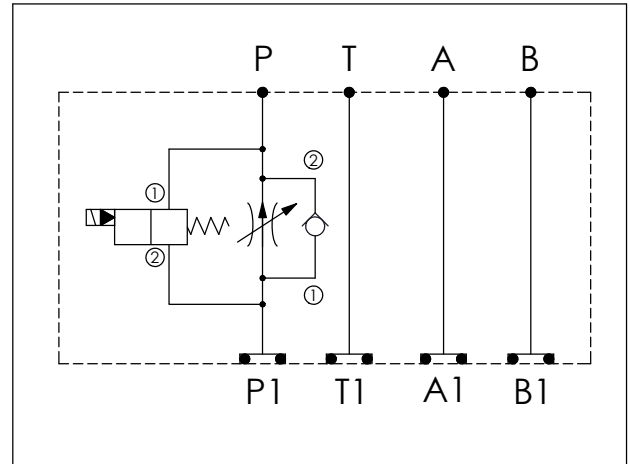


Ordering Code: **MH03FPE-X-Y-Z01**

Stack Height : 44.5mm

UNIT:mm



TECHNICAL DATA

Aluminum Body Pressure Rating: 250 bar
 Ductile Iron Body Pressure Rating: 350 bar

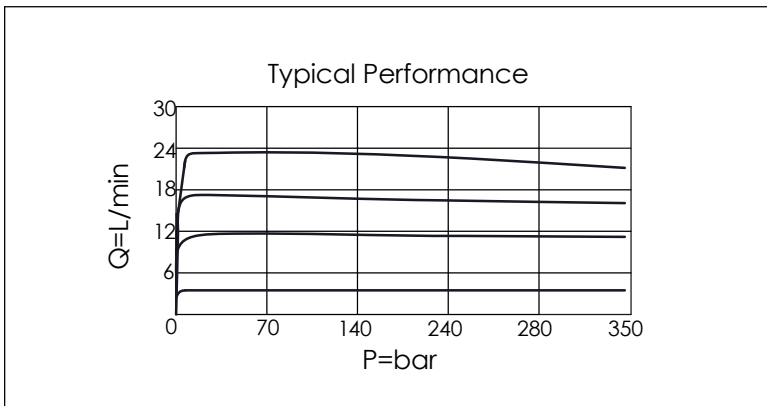
Rated flow: 23 l/min
 (Pressure Compensated)

Cartridge Valve:
 Refer to FR13A-X-Y-Z
 EP08W-X-Y-Z

* Refer to Winner Cartridge Valves Catalog.

| | |
|----------|---|
| Aluminum | 0.35 kg(WITHOUT VALVES) 0.58 kg(INCLUDE VALVES ,WITHOUT COIL) |
|----------|---|

* If you need the special specification. Please contact us.



| X | SELECTION FOR FLOW CONTROL | |
|-------------|----------------------------|--|
| 13A2 | CAVITY ONLY(WITHOUT VALVE) | |
| FR0A | FR13A20AL(23LPM,350bar) | |

| Y | SELECTION FOR SOLENOID VALVES (REFER TO EP08W-X-Y-Z) | |
|--------------|--|--|
| 08W2 | CAVITY ONLY(WITHOUT VALVE) | |
| EP01 | EP08W2A01N05 , 40LPM,350bar (NORMALLY CLOSED,WITHOUT COIL) | |
| EP02 | EP08W2A02N05 , 40LPM,350bar (NORMALLY OPEN,WITHOUT COIL) | |
| EP01M | EP08W2A01M05 , 40LPM,350bar(NORMALLY CLOSED WITH KNOB STYLE MANUAL OVERRIDE,WITHOUT COIL) | |
| EP02P | EP08W2A02P05 , 40LPM,350bar(NORMALLY OPEN WITH PUSH STYLE MANUAL OVERRIDE,WITHOUT COIL) | |

COIL MUST BE ORDERED SEPARATELY
(REFER TO EC-04W-X-Y-Z)

| Z | BODY MATERIAL | |
|----------|------------------------|--|
| A | HIGH-STRENGTH ALUMINUM | |