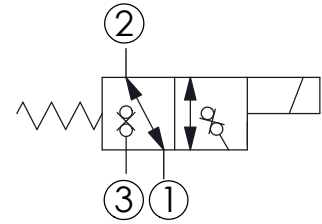
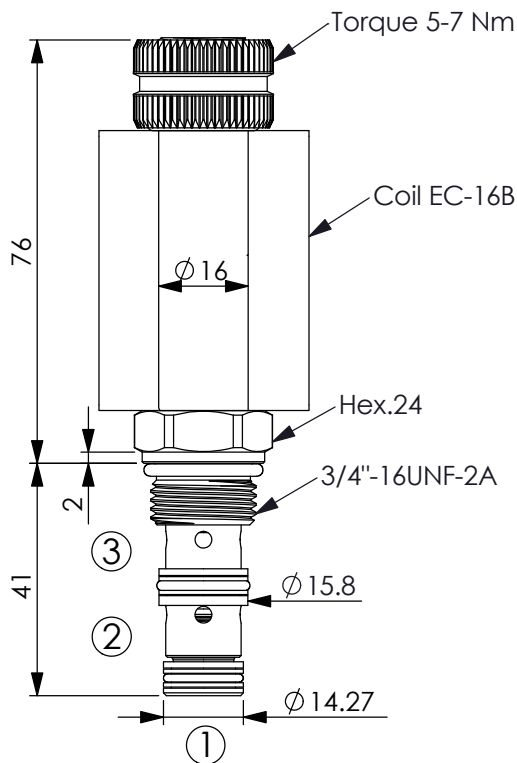


## SOLENOID OPERATED VALVE

(Direct-Acting Poppet 3-Way 2-Position Cartridge Style)

Ordering Code: **EP-08W-X-Y-Z-04**



### TECHNICAL DATA

Max. Operating pressure: 240 bar

Rated flow: 10 l/min

Response Time Opening 20-40 ms  
(2 → 3, 2 → 1) Closing 50-90 ms

Cavity-Tooling: 08W-3

Installation torque: 39-51 Nm

Weight: 0.19 kg

Fluids-Temperatures: -40~120 °C

Internal Leakage: 0.15cc/minute  
(3 drops/minute) max. at 240 bar

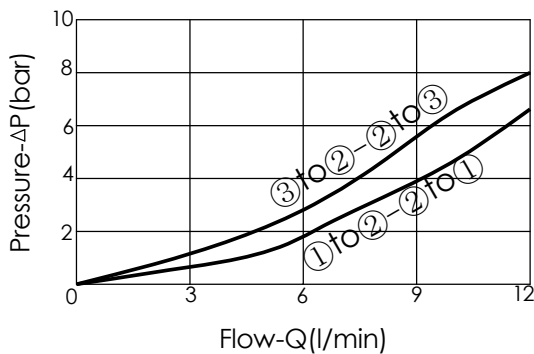
Filtration: 25 μm nominal or better

Minimum Voltage Required:  
90 % of nominal

Coils must be ordered separately

Mounting Position: unrestricted

UNIT:mm



**Y**

### OPERATION

**53**

Direct-Acting Poppet 3-Way  
2-Position Cartridge Style

**X**

### STRUCTURE

**3C**

3 Ports · 26 Watt. Coil  
Ø 16 mm tube

**Z**

### OPTIONS

**N**

Non-adjustable

**P**

Push Style  
Manual Override

